



THE POWERVIEW™ 750

MODULAR DISPLAY CUSTOMIZED TO MEET YOUR NEEDS

If you could change anything about your display, what would it be? The shape? The inputs? The interface? How about nearly everything?



Portrait version



Landscape version



CAN-based display, with fully modular design

Easy-to-use configuration software

Rugged/reliable design

Configurable control buttons

Bonded LCD screen, viewable in direct sunlight

Customized bezel, buttons, I/O interface and more

Multiple languages

The PowerView 750 display features a fully modular design. Any of the major components can be redesigned and assembled to meet your exact needs.

It's an incredible amount of customization to meet your requirements, for example:

- Change bezel & buttons
- Remove or add I/O
- Customize onscreen graphics
- Brand it with your company logo

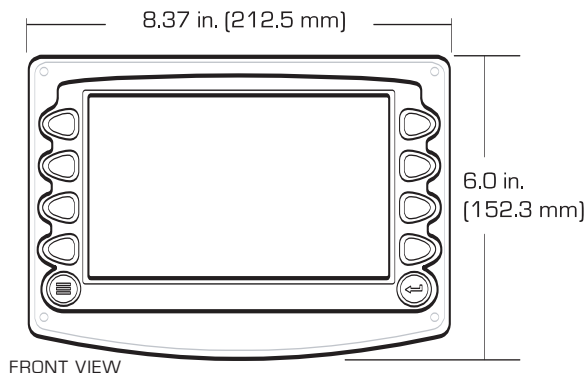
The PowerView 750 display is also highly durable. See the complete specs on the back of this sheet for a full overview of its technical features.



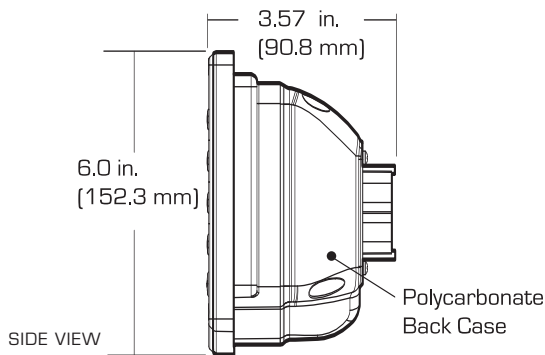
PowerVision Configuration Studio™ software.

THE POWERVIEW™ 750

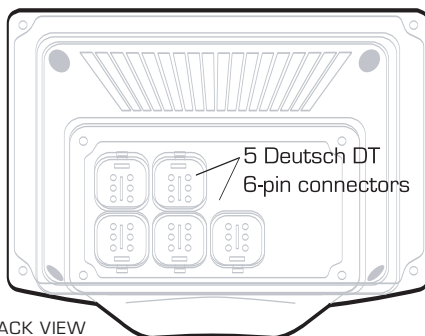
STANDARD DIMENSIONS



FRONT VIEW



SIDE VIEW



BACK VIEW

TECHNICAL SPECS

- Display: 7"/178mm color transmissive TFT LCD
- Resolution: WVGA, 800 x 480 pixels, 16-bit color
- Aspect Ratio: 16:9
- Orientation: Landscape or portrait
- Backlighting: LED, 400-500 cd/m² (50,000 h lifetime)
- Microprocessor: Freescale iMX.31 32bit, 400MHz
- GNX Operating System
- Flash Memory: 2 GB
- RAM: 128 Mbytes SDRAM
- USB: 2.0 host (full speed)
- SD storage (optional): for program updates, map data and diagnostic data storage
- Operating Voltage: 8-35 VDC, protected against reverse polarity and load-dump
- Power Consumption: 10w full backlight; 22w full backlight with heater (< -10°C)
- CAN: 3 CAN ports according to CAN specification 2.0B; one port isolated according to NMEA 2000 (GPS)
- RS 485: 1 MODBUS Master/Slave port
- Video input: optional NTSC/PAL
- Protocols: J1939, NMEA 2000 (GPS), CANopen, Free Form CAN
- Connection: 5 Deutsch DT 6-pin connectors
- Keyboard: 10 tactile buttons
- Inputs: (3) 0-5 VDC analog inputs, (1) input configurable to support measurement frequencies from 2 Hz-10 kHz and PWM values from 0-100% duty cycle
- Output: Digital, capable of syncing 500mA
- Landscape or Portrait Mounting Options: Front Mount, Back Mount, Gimbal Mount

ENVIRONMENTAL SPECS

- Operating Temperature: -40° C to +85° C
- Storage Temperature: -40° C to +85° C
- Protection: IP66 and 67, front and back
- Emissions: SAE J1113 or customer specified
- Immunity: SAE J1113 or customer specified
- Vibration: Random vibration, 7.86 Grms (5-2000 Hz), 3 axis
- Shock: +/- 50G in 3 axis

FW MURPHY

P.O. Box 470248
Tulsa, Oklahoma 74147 USA
+1 918 317 4100 Fax: +1 918 317 4266
E-mail: sales@fwmurphy.com

INDUSTRIAL PANEL DIVISION

Fax: +1 918 317 4124
E-mail: ipdsales@fwmurphy.com

MURPHY POWER IGNITION

Web site: www.murphy-pi.com

CONTROL SYSTEMS & SERVICES DIVISION

P.O. Box 1819
Rosenberg, Texas 77471 USA
Phone: +1 281 633 4500 Fax: +1 281 633 4588
E-mail: css-solutions@fwmurphy.com

FRANK W. MURPHY, LTD

Church Rd Laverstock
Salisbury SP1 1QZ UK
Phone: +44 1722 410055 Fax: +44 1722 410088
E-mail: sales@fwmurphy.co.uk
Web site: www.fwmurphy.co.uk

FW MURPHY INSTRUMENTS (HANGZHOU) CO. LTD

77 23rd Street
Hangzhou Economic & Technological Development Area
Hangzhou, Zhejiang 310018 China
Phone: +86 571 8788 6060 Fax: +86 571 8684 8878
E-mail: apsales@fwmurphy.com



USA-ISO 9001:2008 FM 28221
UK-ISO 9001:2008 FM 29422
CHINA-ISO 9001:2008 FM 52385
Registered Facilities

COMPUTRONIC CONTROLS, LTD

41 - 43 Railway Terrace Nechells
Birmingham B7 5NG UK
www.computroniccontrols.com



MURPHY

www.fwmurphy.com

Printed in the USA

0810284 Revised 6/2011