

Pressure SWITCHGAGE® With Normally Closed Contacts

OPLFNC Series

4-1/2 in. (114 mm) Diameter Dial



- Normally Closed Pilot-Duty Contacts
- Combination Indicating Gage and Critical Limit Switch
- Contacts Rated 250 mA, 28 VDC and Isolated from Case Ground
- Environmentally Sealed
- For Use in Non-Hazardous Areas or Class I, Div. 2 Areas*

Description

The OPLFNC Series SWITCHGAGE® uses the same basic sensing mechanisms as our proven line of 4-1/2 in. (114 mm) diameter dial SWITCHGAGE® instruments. It retains all of the advantages offered in our OPL Series SWITCHGAGE® instruments. The face adjustable contacts, however, are Normally Closed under “normal” operating conditions and trip “open” when set point is reached. This allows for a Normally Closed protective control circuit.

Features

- N. C. High and Low Contacts Rated 250 mA, 28 VDC
- Minimal (approximately 4% of scale) Switch Deadband
- Panel Mounting Case
- Environmentally Sealed
- 4-1/2 Inch (114 mm) Diameter Dial
- Gold-Flashed Silver Contacts
- Contacts Isolated from Case Ground
- Highly Suitable for Murphy (and other) Solid-State TATTLETALE® Annunciators and Logic Controllers, PLC’s, and Micro-processor-based Controllers

- Contact Repeatability $\pm 1\%$ Full Scale
- For Use in Non-Hazardous Areas or Class I, Division 2 Areas; Division 1 Configuration Available.*

Specifications

Limit Contacts:

- 2 SPDT, rated 250 mA, 28 VDC
- Normally Closed when pointer is in normal operating range
- Gold-flashed silver contact
- Contacts are isolated from ground

Process Connection: 1/4 NPT or 1/2 NPT. See *Bourdon Tube and Socket* chart on reverse side.

Wire Leads:

24 AWG x 33 in. (0.22 mm² x 838 mm).

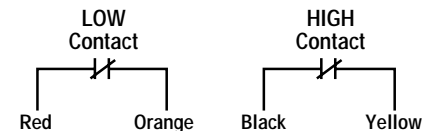
Dial: White on black, dual scale; psi and kPa/MPa. Single scale and custom dials are available.

Case: Die cast aluminum, panel mount.

Shipping Weight: 3 lbs. 4 oz. (1.5 kg).

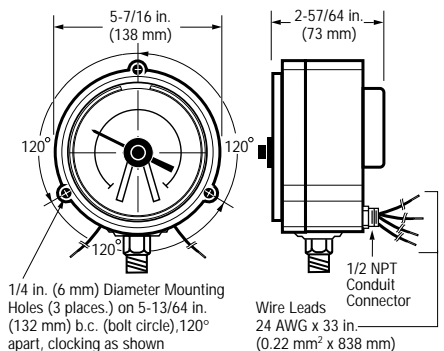
Shipping Dimensions: 9-1/4 x 8-1/4 x 5-1/2 in. (235 x 210 x 140 mm).

Electrical



Contact Rating: 250 mA, 28 VDC

Dimensions



Mounting Hole: 4-3/4 in. (121 mm) Diameter

Warranty

A two-year limited warranty on materials and workmanship is provided with this Murphy product. Details are available on request and are packed with each unit.

*When used with appropriate barrier. Contact Murphy for details.

How to Order

NOTE: List options in alphabetical order (A to Z). Place a dash (-) between each option. See example below.

OPLFNC - S - 1000 - BC

Bourdon Tube and Socket					
Specify	Process Connection	Tube Type	Range Selection Limits psi (MPa) [bar]	Bourdon Tube and Tip Material (all joints TIG welded except "A")	Socket Material
A ⁽¹⁾	1/4 NPT	Drawn C-Tube	Thru 1,000 psi (6.89 MPa) [68.95 bar]	Grade A Phosphor Bronze Tube (Brass Tip, Silver Brazed)	Brass
A1 ⁽¹⁾⁽³⁾	1/2 NPT	Drawn C-Tube	Thru 1,000 psi (6.89 MPa) [68.95 bar]	Grade A Phosphor Bronze Tube (Brass Tip, Silver Brazed)	Brass
R ⁽²⁾⁽³⁾	1/4 NPT	Drawn C-Tube	Thru 1,000 psi (6.89 MPa) [68.95 bar]	316 Stainless Steel	1019 Steel
	1/2 NPT	Drawn Helical	1,500/20,000 psi (10.3/138 MPa) [103.42/1378.94 bar]		
R1 ⁽³⁾	1/2 NPT	Drawn C-Tube	Thru 1,000 psi (6.89 MPa) [68.95 bar]	316 Stainless Steel	1019 Steel
S ⁽³⁾	1/4 NPT	Drawn C-Tube	Thru 1,000 psi (6.89 MPa) [68.95 bar]	316 Stainless Steel	316 Stainless Steel
	1/2 NPT	Drawn Helical	1,500/20,000 psi (10.3/138 MPa) [103.42/1378.94 bar]		
S1 ⁽³⁾	1/2 NPT	Drawn C-Tube	Thru 1,000 psi (6.89 MPa) [68.95 bar]	316 Stainless Steel	316 Stainless Steel
P ⁽³⁾⁽⁴⁾	1/4 NPT	Drawn C-Tube	Thru 1,500 psi (10.3 MPa) [103.42 bar]	K Monel	Monel 400
	1/2 NPT	Drawn Helical	Thru 30,000 psi (206.8 MPa) [2068.42 bar]		
P1 ⁽³⁾⁽⁴⁾	1/2 NPT	Drawn C-Tube	Thru 1,500 psi (10.3 MPa) [103.42 bar]	K Monel	Monel 400

⁽¹⁾Standard thru 1,000 psi (6.89 MPa) [68.95 bar].
⁽²⁾Standard 1,500 psi (10.3 MPa) [103.42 bar] thru 20,000 psi (138 MPa) [1378.94 bar].
⁽³⁾Optional all ranges.
⁽⁴⁾Special order.

Options	
Specify	
BC	Back connected bourdon tube
EX	Explosion-proof; SWICHGAGE® enclosed within explosion-proof case
EL	Explosion-proof less case; internal gage mechanism only-no case
RO	Restricting orifice
SH	(SSH) Stainless steel (T18-A) external hardware
TS	Overrange gear stop

Range							
Specify	psi	kPa/MPa	bar	Specify	psi	kPa/MPa	bar
30V	30" vac - 0 psi	-101 kPa - 0 kPa	-1.01 - 0	200	0 - 200 psi	0 - 1.38 MPa	0 - 13.78
30V15	30" vac - 15 psi	-101 kPa - 103 kPa	-1.01 - 1.03	300	0 - 300 psi	0 - 2.07 MPa	0 - 20.68
30V30	30" vac - 30 psi	-101 kPa - 207 kPa	-1.01 - 2.07	400	0 - 400 psi	0 - 2.76 MPa	0 - 27.57
30V60	30" vac - 60 psi	-101 kPa - 414 kPa	-1.01 - 4.14	600	0 - 600 psi	0 - 4.14 MPa	0 - 41.36
30V100	30" vac - 100 psi	-101 kPa - 689 kPa	-1.01 - 6.89	1000	0 - 1000 psi	0 - 6.89 MPa	0 - 68.95
30V200	30" vac - 200 psi	-101 kPa - 1.38 MPa	-1.01 - 13.79	1500	0 - 1500 psi	0 - 10.34 MPa	0 - 103.42
30V300	30" vac - 300 psi	-101 kPa - 2.07 MPa	-1.01 - 20.68	2000	0 - 2000 psi	0 - 13.79 MPa	0 - 137.89
15	0 - 15 psi	0 - 103 kPa	0 - 1.03	3000	0 - 3000 psi	0 - 20.68 MPa	0 - 206.84
30	0 - 30 psi	0 - 207 kPa	0 - 2.06	5000	0 - 5000 psi	0 - 34.48 MPa	0 - 344.73
60	0 - 60 psi	0 - 414 kPa	0 - 4.13	10000	0 - 10,000 psi	0 - 68.95 MPa	0 - 689.47
100	0 - 100 psi	0 - 689 kPa	0 - 6.89	20000	0 - 20,000 psi	0 - 137.90 MPa	0 - 1378.94
160	0 - 160 psi	0 - 1.10 MPa	0 - 11.03				

In order to consistently bring you the highest quality, full featured products, we reserve the right to change our specifications and designs at any time.



Frank W. Murphy Manufacturer
 P.O. Box 470248; Tulsa, Oklahoma 74147; USA
 tel. (918) 627-3550 fax (918) 664-6146
 e-mail fwmurphy@ionet.net

Frank W. Murphy Southern Division
 P.O. Box 1819; Rosenberg, Texas 77471; USA
 tel. (281) 342-0297 fax (281) 341-6006
 e-mail murphysd@intertex.net

Frank W. Murphy, Ltd.
 Church Rd.; Laverstock, Salisbury SP1 1QZ; U.K.
 tel. +44 1722 410055 fax +44 1722 410088 tlx 477088
 e-mail sales@fwmurphy.co.uk

Frank W. Murphy Pte., Ltd.
 26 Siglap Drive; Republic of Singapore 456153
 tel. +65 241-3166 fax +65 241-8382
 e-mail fwmsales@fwmurphy.com.sg

Murphek Pty., Ltd.
 1620 Hume Highway; Campbellfield, Vic 3061; Australia
 tel. +61 3 9358-5555 fax +61 3 9358-5558

Murphy de México, S.A. de C.V.
 Blvd. Antonio Rocha Cordero 300, Fracción del Aguaje
 San Luis Potosí, S.L.P.; México 78384
 tel. +52-48-206264 fax +52-48-206336
 e-mail murmexsl@infosel.net.mx

Murphy Switch of California
 P.O. Box 900788; Palmdale, California 93590; USA
 tel. (805) 272-4700 fax (805) 947-7570
 e-mail sales@murphyswitch.com

Frank W. Murphy France
 tel. +33 1 30 762626 fax +33 1 30 763989