

M-Link[®] IoT Gateway

Remote Access

With support for AT&T, Verizon and Iridium in one device, M-Link chooses the best service without the need for user intervention to ensure a reliable signal. Instead of choosing a service, M-Link supports three of the best services and instantly selects the best option for the optimal connection. This complete connectivity puts data where you need it to schedule repairs, plan responses and avoid unplanned downtime.

Mobile Applications

Bluetooth and Wi-Fi capabilities free you from standing in front of a control panel or tethering you to a laptop. See your application in a completely new view. A smart device and M-Link app change the way you operate equipment and how you interact with real-time information so you can put it to work.

Over The Air

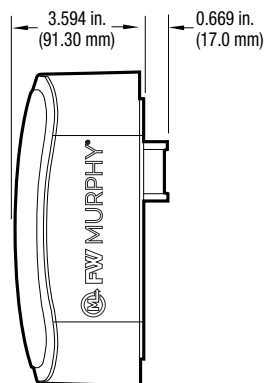
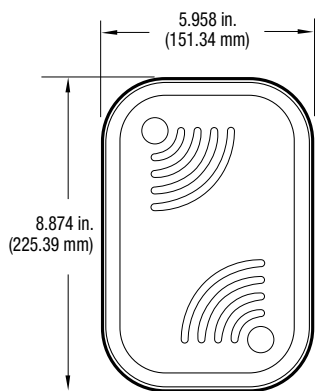
M-Link integrates FW Murphy-connected devices to manage over-the-air updates and changes across your fleet with ease. Remote troubleshooting assistance puts FW Murphy Technical Services at your site with you for first-hand rapid support. The support you trust and depend on now offers new avenues to help you keep your equipment up and running.



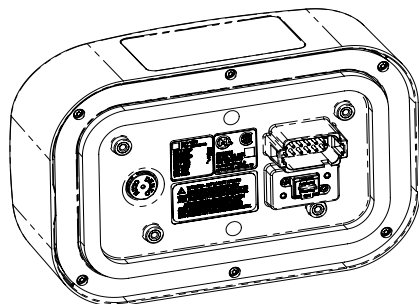
Wireless Communications with M-Link IoT Gateway



Dimensions



Backside View with Gasket



Specifications

Hardware Specifications

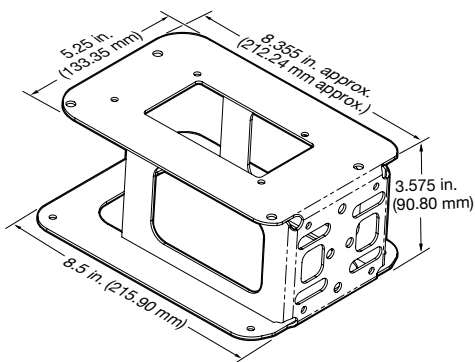
Active dual 4G LTE cellular communication (AT&T & Verizon)
 Iridium LEO (Low Earth Orbit) satellite fallback
 GPS for device location
 Wi-Fi, Bluetooth and Ethernet for local data viewing and configuration
 All internal antennas
 Local Device Data Connections via 1 CAN, 1 RJ45 Ethernet and 2 RS485 ports (1 client, 1 server)
 4GB non volatile storage for data logging and software updates
 IP66 & IP67 ingress protection ratings
 Pollution degree 2
 CSA Class I, Division 2, Groups A, B, C and D, T4 Certified
 Compliance to ANSI C63.4 (2014) and 47 CFR Part 15 (USA & CANADA)
 Operating temperature: -40° to 176° F (-40° to 80° C)
 Operating voltage: 10-30 VDC, 360 mA max, 4 W max

Software Specifications

Always connected automatic communication switching
 Periodic data transmission at user-definable rates
 User-configurable data maps
 User-configurable alarms
 Remote request for data snapshots on demand
 Over-the-air updates for configuration changes and firmware
 Remote firmware and configuration updates for FW Murphy connected devices
 Wi-Fi hotspot
 Data aggregation for local SCADA systems available via Modbus RTU Slave or Modbus TCP/IP Server
 Supports Modbus RTU, Modbus TCP/IP, CAN bus (J1939 & CCP)

Mounting Bracket

Dimensions



Mounting Options

The M-Link can be mounted with or without the bracket.

- With Mounting Bracket
 - Side Mount (screws)
 - Top Mount (screws)
 - Side Mount (magnets)
 - Top Mount (magnets)
- Without Mounting Bracket
 - Direct Mount on top of Panel

How to Order

Part Number	Model and Description	Notes
53703504	M-Link Dual-Mode and 12' Harness	Cell only
53703503	M-Link Tri-Mode and 12' Harness	Cell & Satellite
53050082	M-Link Mounting Bracket and hardware for surface mount with bolts or magnet mount.	

Approximate Shipping Weight	
Part Number	Weight
53703504	3 lb. 12 oz. (1.70 kg)
53703503	3 lb. 12 oz. (1.70 kg)
53050082	4 lb. 15 oz. (2.24 kg)