

Brushless Alternators

Power Supply

FW Murphy Ignition Systems are optimized with power supplies utilizing high-quality brushless alternators. Designed for long-lasting durability with no moving electrical components, these devices are ideal for all industrial applications and are certified for hazardous duty locations and field proven.

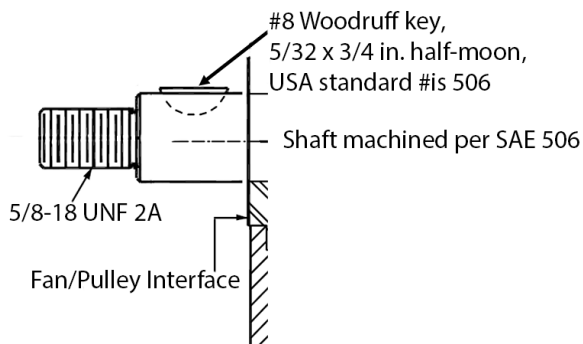
Features

- No brushes, no brush springs
- One moving part, no moving electrical parts
- One-piece bearing housing
- Permanent bearing alignment
- Oversize lubrication reservoir
- Glass Filled TFE fluorocarbon seal (Teflon)
- Air-cooled 7.3" diameter advanced design
- Universal mounting bracket available

Benefits

- Strong, compact reliable power
- Exceptional bearing life
- Simple inspection and maintenance procedures
- 24-VDC, rated to 80 amp, 5,000 rpm CSA approval rated to 60 amp, 3,600 rpm
- Bi-directional rotation

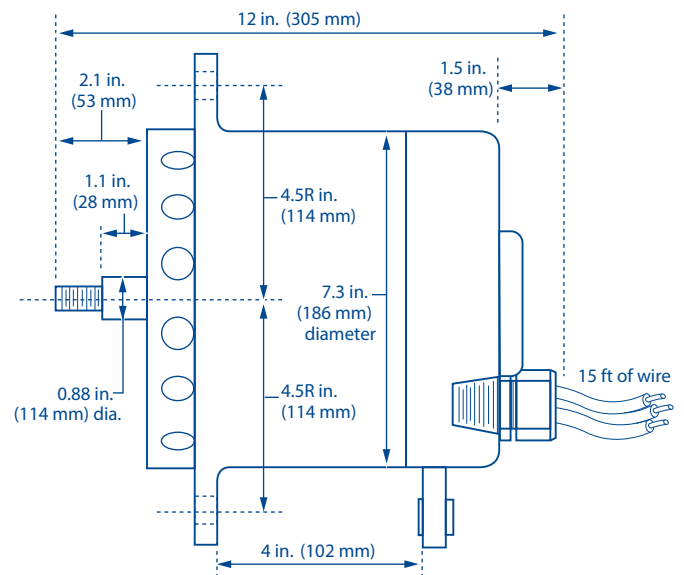
Alternator Shaft and Woodruff Key



Shown with optional bracket

Dimensions

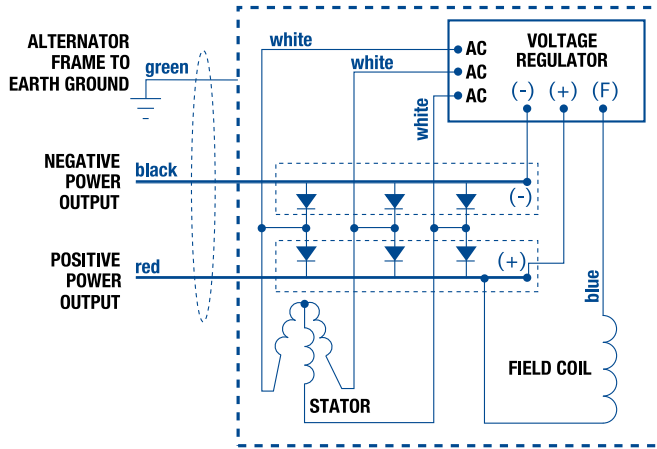
7.3 inch Diameter Model 102499-HZ24



Brushless Alternators

Wiring Diagram

For 7.3 inch diameter, single ended, 80 amp alternator to self-excited voltage regulator, all voltages.
For use in Class I, Div. 2, Hazardous Areas.



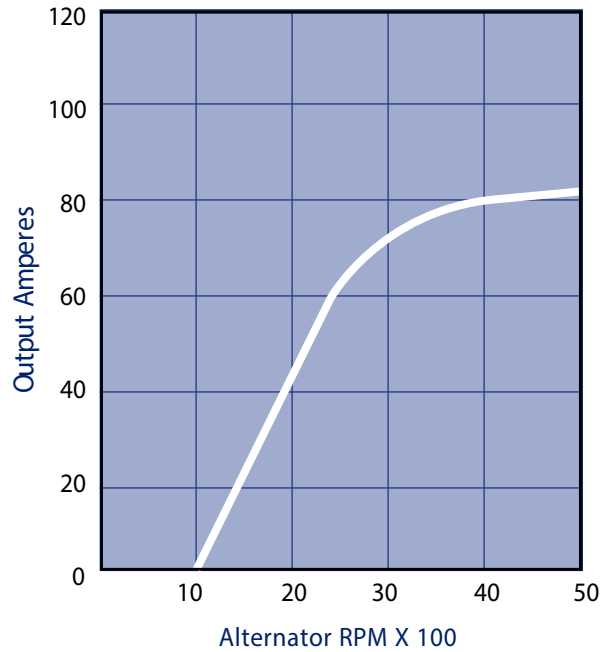
WIRE COLOR CODE

AC=..... white
 POS=..... red
 NEG=..... black
 FLD=..... blue
 FRAME GROUND=..... green



Shown without bracket

Output Amperes at RPM Ranges



Specifications

- Rated Amperes:** 80
- RPM @ Rated Amperes:** 5000
- Preset Volt Range:** 25.5-30
- Full Load Voltage @ 28.0 Preset:** 27.5
- Field Amperes:** 4.5 Typical
- Rotation:** Bi-Directional
- Shaft Diameter (Pulley):** 7/8 inch nominal
- Voltage Regulator:** Integral - Adjustable - Self Exciting
- Wiring Connections:** B+, B-, Ground
- Rectifier Diode Construction:** Individually Replaceable
- Rectifier, Rated Capacity:** 225 Amperes
- *CSA International Certification 60 Amperes @ 3600 RPM

How to Order

Spindletop Energy Products is the exclusive U.S. distributor for this product. Spartan Controls is the exclusive distributor for Canada. Please contact these companies for pricing and availability.

US distributor at <https://spindletop.com>

Canada distributor at <https://www.spartancontrols.com>