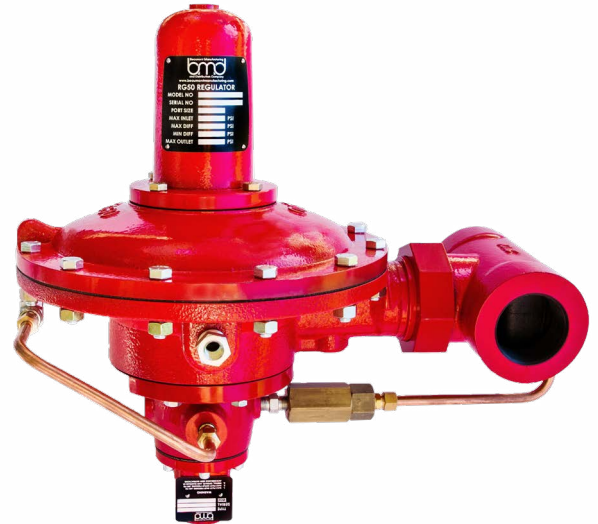


Pressure Reducing Regulators

RG50 Model

The RG50 is a pressure reducing regulator used in natural gas distribution systems. The RG50 provides high accuracy, no atmospheric bleed and a heavy main spring for tight shutoff. High-capacity pressure control, excellent low-flow control and ease of maintenance make the RG50 the perfect solution for pressure reducing applications.

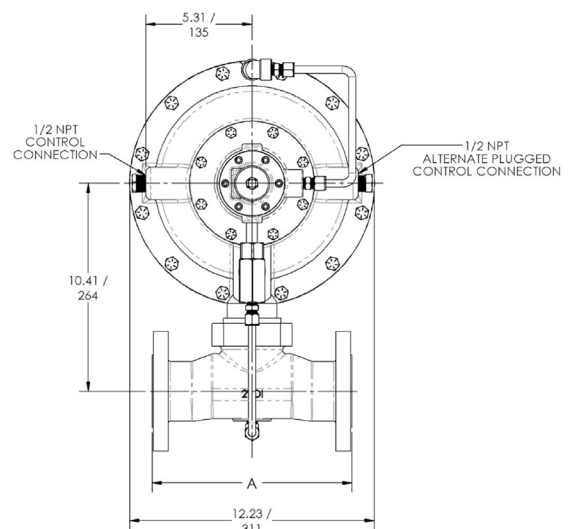
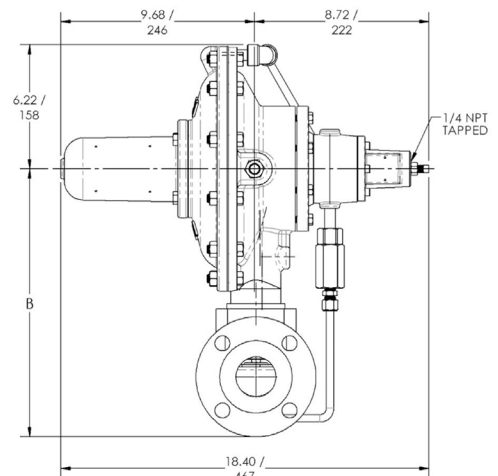


All trademarks and service marks used in this document are the property of their respective owners. This Beaumont Manufacturing and Distribution Co. product is exclusively distributed for new equipment packages by FW Murphy in the Natural Gas Compression market.

Specifications

- Sizes:** 2"
- Connection:** Female NPT, flanged
- Body Type:** Globe
- Port Sizes:** 7/8", 1 1/8"
- Maximum Inlet Pressure:**
 - 7/8" Orifice:** 400 psi
 - 1-1/8" Orifice:** 300 psi
- Temperature Range:**
 - Viton:** 0° F to 300° F (-18° C to 149° C)
 - Buna, Nylon, Neoprene:** -20° F to 180° F (-29° C to 82° C)
- Set Pressure Range:** 35 to 100 psi
- Maximum Actuator Pressures:**
 - Operating:** 100 psi
 - Emergency:** 110 psi
- Maximum Pilot Spring Case Pressure for Pressure Loading:** 100 psi
- Maximum Rated Travel:** 1/4 in/ 6.4 mm
- Weight:** 115lbs
- Proportional Band:** 1 to 2 psi In. W.C.
- Materials:**
 - Body:** Cast iron
 - Actuator Casing:** Cast iron
 - Pilot Body and Spring Case:** Cast iron
 - Orifice, Disk Holder and Shuttle:** Brass
 - Disk:** Buna, Viton®, nylon
 - Diaphragm:** Neoprene, Viton® (optional)

Dimensions



Body Pressure Ratings	
NPT	600 psi
150 Class Flange	250 psi
300 Class Flange	640 psi

Dimensions		
Body	A	B
NPT	6.25"	12.28"
Class 150	10.00"	13.41"
Class 300	10.50"	13.66"

Maximum Allowable Pressure Drop and Minimum Differential Pressures

Maximum Allowable Pressure Drop		Minimum Differential Pressure for Full Stroke		Disk Material	Maximum Orifice Size
psig	bar	psig	bar		In.
150	10.3	3	0.21	Buna and Viton	1 1/8
250	17.2	3	0.21	Buna and Viton	7/8
300	20.7	10	0.69	Nylon	1 1/8
400	27.6	10	0.69	Nylon	7/8

Capacities of 0.6 S.G. Natural Gas in SCFH

Orifice Size		Inlet Pressure		Outlet Pressure, psig/bar															
				35 / 2.4		40 / 2.8		45 / 3.1		50 / 3.5		60 / 4.1		75 / 5.2		100 / 6.9			
In.	mm	psig	bar	SCFH	Nm³/h	SCFH	Nm³/h	SCFH	Nm³/h	SCFH	Nm³/h	SCFH	Nm³/h	SCFH	Nm³/h	SCFH	Nm³/h		
7/8	22	40	2.8	14.4	0.4														
		50	3.4	25	0.7	21	0.6	15.5	0.4										
		60	4.1	35	0.9	30	0.8	27	0.7	23	1.6								
		75	5.2	47	1.3	45	1.2	41	1.1	37	1.0	30	0.8						
		100	6.9	59	1.6	59	1.6	59	1.6	59	1.6	53	1.4	44	1.2				
		125	8.6	73	2.0	73	2.0	73	2.0	73	2.0	73	2.0	66	1.8	48	1.3		
		150	10.3	86	2.3	86	2.3	86	2.3	86	2.3	86	2.3	86	2.3	86	2.3	72	1.9
		175	12.1	93	2.6	93	2.6	93	2.6	93	2.6	93	2.6	93	2.6	93	2.6	93	2.5
		200	13.8	108	2.9	108	2.9	108	2.9	108	2.9	108	2.9	108	2.9	108	2.9	108	2.9
		225	15.5	123	3.3	123	3.3	123	3.3	123	3.3	123	3.3	123	3.3	123	3.3	123	3.3
		250	17.2	132	3.5	132	3.5	132	3.5	132	3.5	132	3.5	132	3.5	132	3.5	132	3.5
		300	20.7	162	4.3	162	4.3	162	4.3	162	4.3	162	4.3	162	4.3	162	4.3	162	4.3
350	24.1	188	5.0	188	5.0	188	5.0	188	5.0	188	5.0	188	5.0	188	5.0	188	5.0		
400	27.6	215	5.8	215	5.8	215	5.8	215	5.8	215	5.8	215	5.8	215	5.8	215	5.8		
1 1/8	29	40	2.8	24	0.6														
		50	3.4	42	1.1	35	0.9	26	0.7										
		60	4.2	58	1.6	50	1.3	45	1.2	38	1.0								
		75	5.2	78	2.1	74	2.0	68	1.8	60	0.9	50	1.3						
		100	6.9	99	2.7	99	2.7	99	2.7	99	2.7	99	2.7	88	2.4				
		125	8.6	122	3.3	122	3.3	122	3.3	122	3.3	122	3.3	122	3.3	80	2.1		
		150	10.3	143	3.8	143	3.8	143	3.8	143	3.8	143	3.8	143	3.8	143	3.8	120	3.2
		175	12.1	160	4.3	160	4.3	160	4.3	160	4.3	160	4.3	160	4.3	160	4.3	155	4.2
		200	13.8	180	4.8	180	4.8	180	4.8	180	4.8	180	4.8	180	4.8	180	4.8	180	4.8
		225	15.5	205	5.5	205	5.5	205	5.5	205	5.5	205	5.5	205	5.5	205	5.5	205	5.5
		250	17.2	220	5.9	220	5.9	220	5.9	220	5.9	220	5.9	220	5.9	220	5.9	220	5.9
		300	20.7	265	7.1	265	7.1	265	7.1	265	7.1	265	7.1	265	7.1	265	7.1	265	7.1

-Grayed out areas indicate that the inlet pressure is too high for a given orifice size.

-To convert capacities to another gas, multiply by .775 and divide by the square root of the specific gravity of the desired gas.

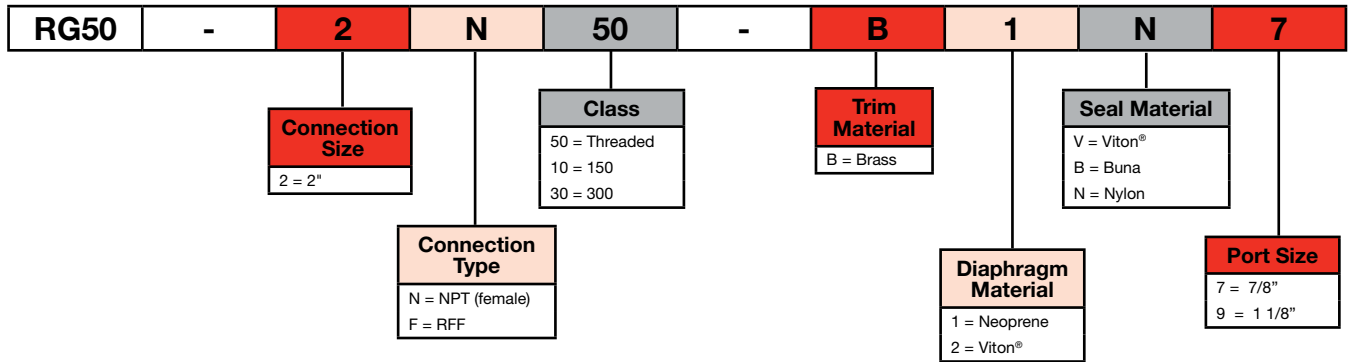
-To convert SCFH to m3 /hr multiply by 0.0268

How to Order

Options are listed below. All configurations may not be available. Call your sales representative or FW Murphy for more information. Repair kits are available.

Example Model No. **RG50-2N50-B1N7**

RG50 Series Regulator, 2" Body, Threaded Ends, Brass Trim with Nylon Seat, Neoprene Diaphragm, 7/8" Port



FW Murphy is the exclusive BMD distributor for new equipment packages.